

# TVS Resilient Washers

## TECHNICAL INFORMATION



**TVS ACOUSTICS**  
NOISE & VIBRATION CONTROL

### Application

Elastic washers are used to decouple structure-borne noise bridges that arise from screw connections. The polyurethane material Sylodyn® effectively isolates vibrations and retains its material properties over its entire service life. As well as decoupling vibrations, the washers are also electrically non-conductive and resistant to common oils and greases.



Elastic washers with and without centring aid (groove)

### Design

As well as the simple design, the washers are also available with a centring aid (groove), to facilitate easier installation and to guarantee the exact positioning of the bolt with the hole. The dimensions are adapted to bolt sizes M8, M10, M12 and M16 and are available in different bearing thicknesses for different efficiencies of insulation.

### Advantages

- Effective vibration isolation and vibration decoupling
- Material properties remain constant over the long-term
- No brittleness (free from softeners)
- Range for different bolt sizes
- Variants with centring aid
- Flammability in accordance with DIN EN 13501-1
- Surface protection
- Electrically non-conductive
- Resistant to oils and greases
- Thermally insulating

Illustration	Article	Thickness	Screw size	Ø A	Ø B
	EW M8-6	6mm	M8	35mm	9mm
	EW M10-6	6mm	M10	40mm	11mm
	EW M12-6	6mm	M12	50mm	13mm
	EW M16-6	6mm	M16	55mm	17mm
	EW M8-8	8mm	M8	28mm	9mm
	EW M10-8	8mm	M10	34mm	11mm
	EW M12-8	8mm	M12	44mm	13mm
	EW M16-8	8mm	M16	56mm	17mm
	EW M8-12	12mm	M8	35mm	9mm
	EW M10-12	12mm	M10	40mm	11mm
	EW M12-12	12mm	M12	50mm	13mm
	EW M16-12	12mm	M16	55mm	17mm
	EW M8-21	21mm	M8	28mm	9mm
	EW M10-21	21mm	M10	34mm	11mm
	EW M12-21	21mm	M12	44mm	13mm
	EW M16-21	21mm	M16	56mm	17mm



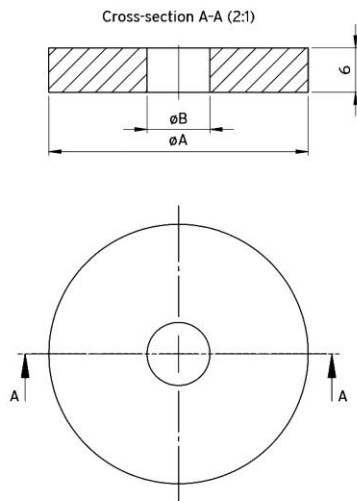
# TVS Resilient Washers

TECHNICAL INFORMATION

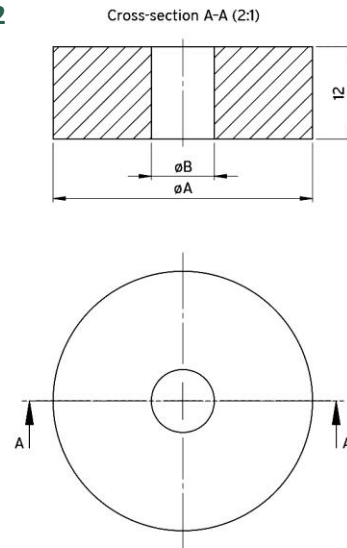


**TVS ACOUSTICS**  
NOISE & VIBRATION CONTROL

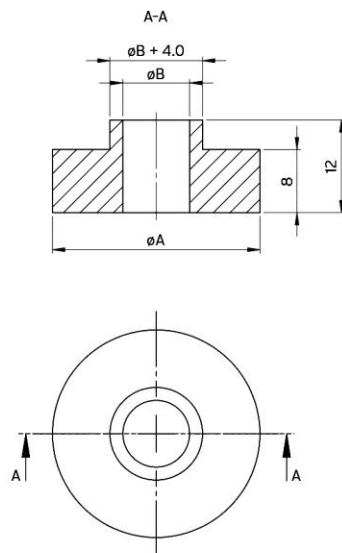
## Type EW XX-6



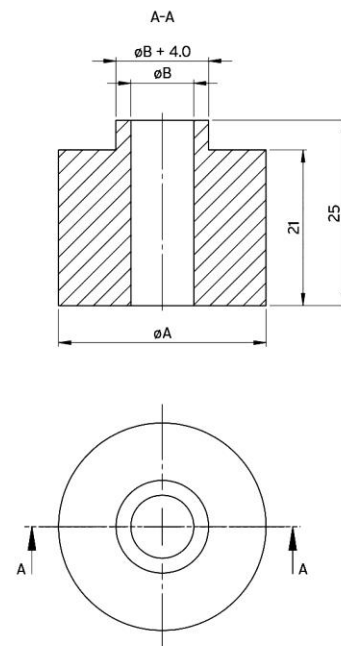
## Type EW XX-12



## Type EW XX-8



## Type EW XX-21



All data is based on our current level of knowledge. It can be used in calculations and for reference purposes, but is subject to typical manufacturing tolerances; errors excepted and subject to change without notice.

**TVS RESILIENT WASHERS**  
**Product Data Sheet PDS 1.1 TVS RESILIENT WASHERS**  
**Revision: 1.2**  
**Issued: 25/01/2018**

T: +44 (0) 1706 260 220 | F: +44 (0) 1706 260 240  
E: Sales@TVS-acoustics.com | W: www.TVS-acoustics.com  
Low Bay | Commerce Street | Carrs Industrial Estate  
Haslingden | Rossendale | Lancashire | BB4 5JT | United Kingdom



**TVS GROUP**  
SPORT | FITNESS | PLAY | ACOUSTICS

www.TVS-Group.co.uk